



FIA FORMULA 1 WORLD CHAMPIONSHIP



# 2024 AUSTRALIAN GRAND PRIX

## 22 - 24 March 2024

---

<b>From</b>	The FIA Formula One Media Delegate	<b>Document</b>	9
<b>To</b>	All Teams, All Officials	<b>Date</b>	22 March 2024
		<b>Time</b>	10:24

---

**Title** Car Presentation Submissions  
**Description** Car Presentation Submissions  
**Enclosed** 24\_AUS Car Presentation Submissions .pdf

**Roman De Lauw**

**The FIA Formula One Media Delegate**



FIA FORMULA 1 WORLD CHAMPIONSHIP



**CAR PRESENTATION – AUSTRALIAN GRAND PRIX**  
**ORACLE RED BULL RACING**

No updates submitted for this event.



FIA FORMULA 1 WORLD CHAMPIONSHIP



**MERCEDES-AMG PETRONAS FORMULA ONE TEAM**

No updates submitted for this event.



# FIA FORMULA 1 WORLD CHAMPIONSHIP

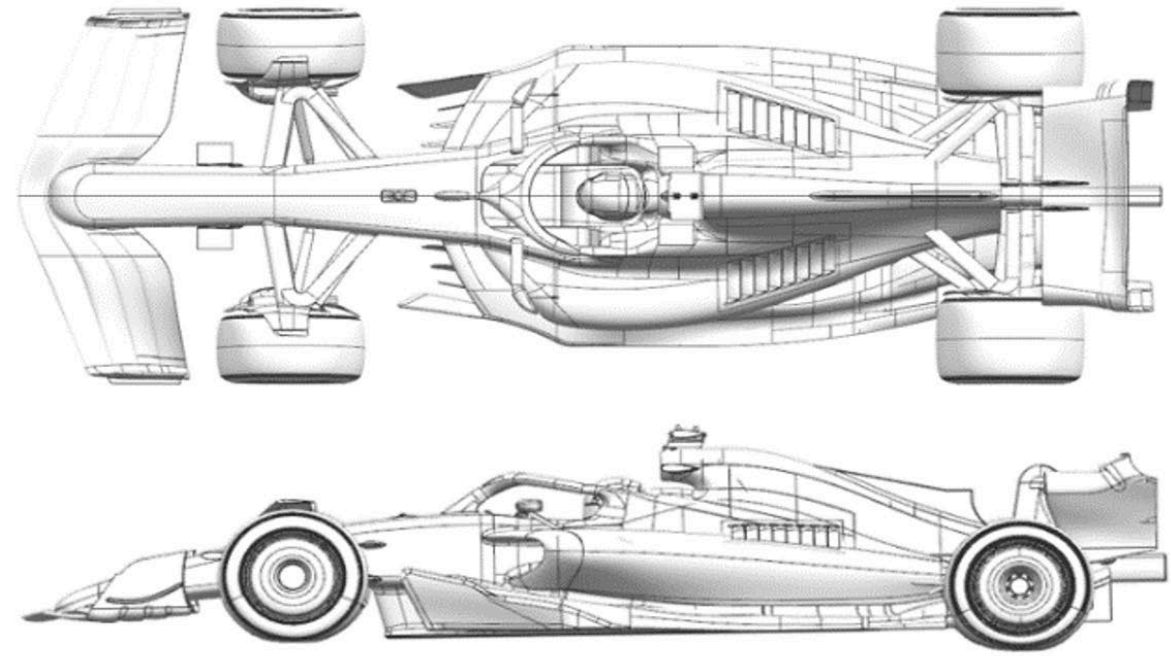
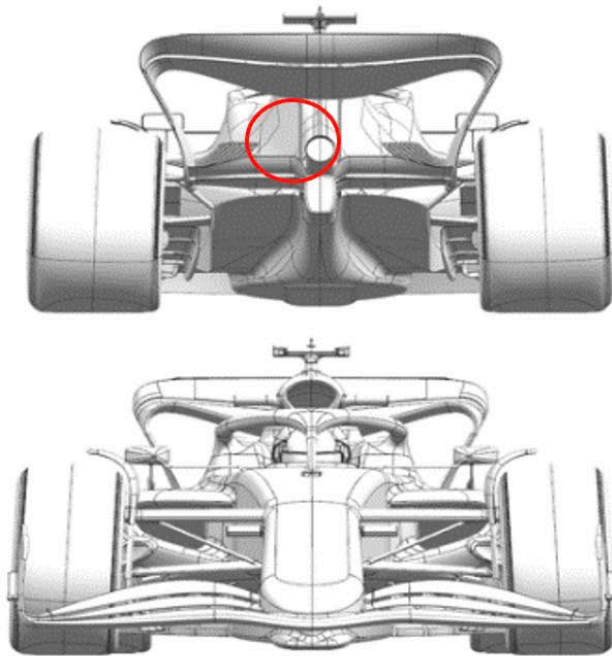


## SCUDERIA FERRARI

	Updated component	Primary reason for update	Geometric differences compared to previous version	Brief description on how the update works
1	Rear Wing	Performance - Local Load	Addition of rear wing pylon side winglets	Not specific to the Albert Park circuit layout aerodynamic efficiency requirements, the addition of pylon winglets is a minor update and offers a small increase of local aerodynamic load.



# FIA FORMULA 1 WORLD CHAMPIONSHIP





FIA FORMULA 1 WORLD CHAMPIONSHIP



**MCLAREN FORMULA 1 TEAM**

No updates submitted for this event.



# FIA FORMULA 1 WORLD CHAMPIONSHIP

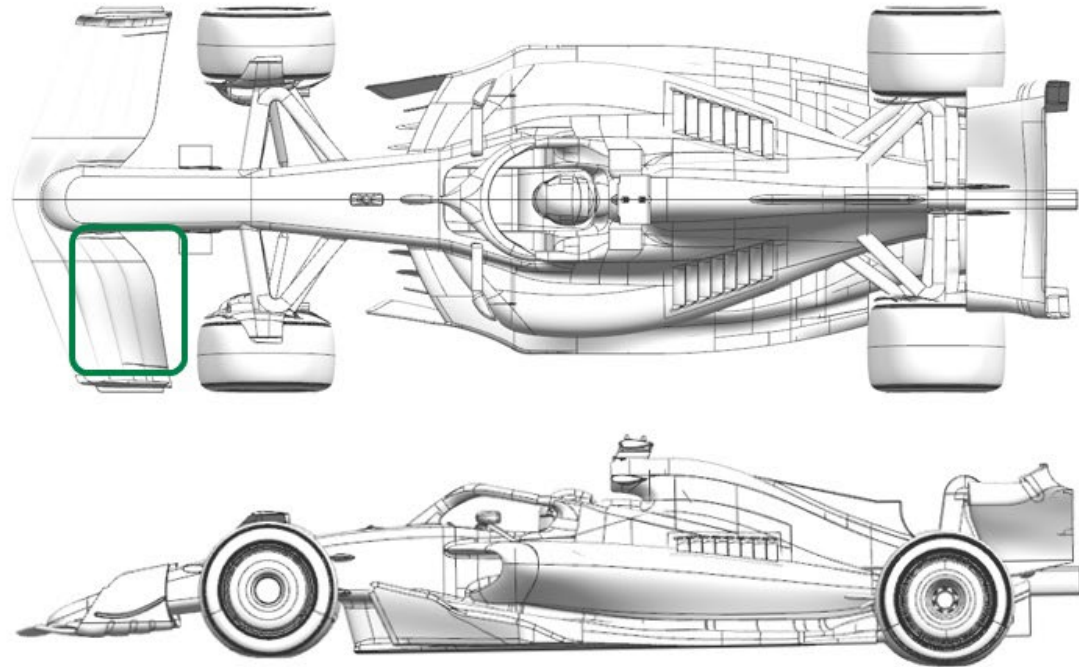
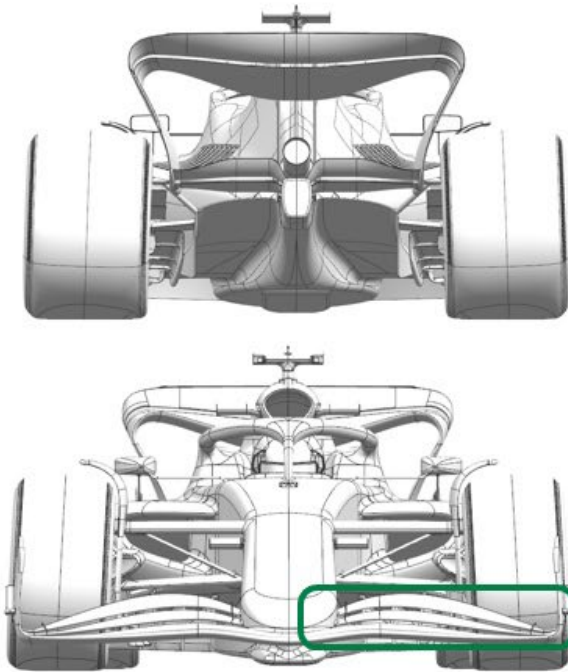


## ASTON MARTIN ARAMCO FORMULA ONE TEAM

	Updated component	Primary reason for update	Geometric differences compared to previous version	Brief description on how the update works
1	Front Wing	Performance - Local Load	The front wing flap has a revised twist distribution.	The revised twist changes the loading distribution across the span of the front wing for improved car performance.



# FIA FORMULA 1 WORLD CHAMPIONSHIP







# FIA FORMULA 1 WORLD CHAMPIONSHIP

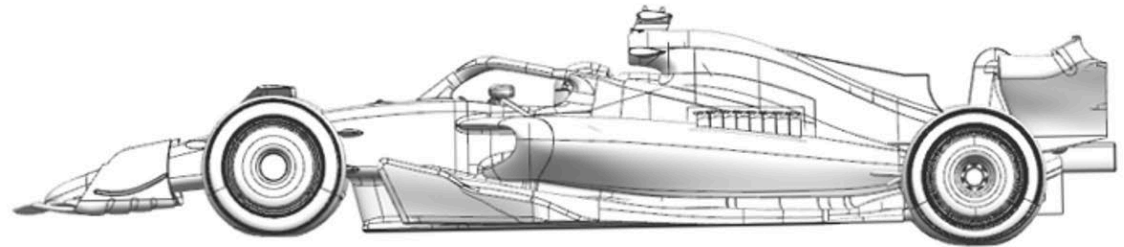
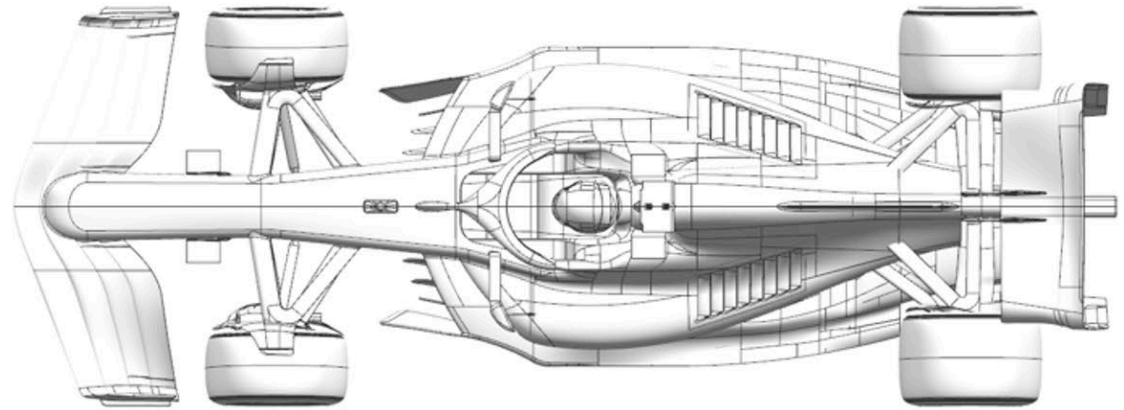
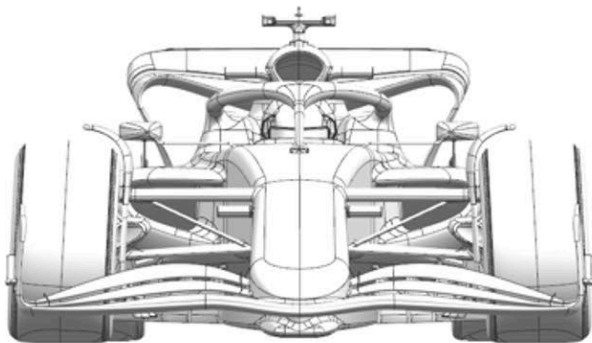
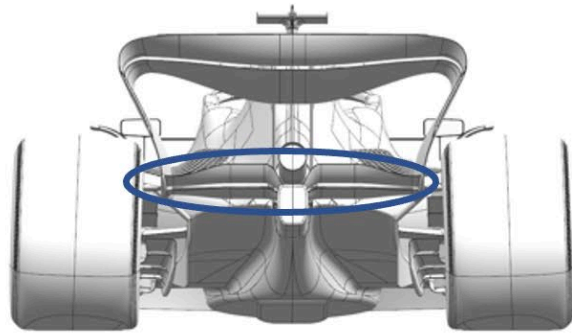


## BWT ALPINE F1 TEAM

	<b>Updated component</b>	<b>Primary reason for update</b>	<b>Geometric differences compared to previous version</b>	<b>Brief description on how the update works</b>
1	Beam Wing	Circuit specific - Drag Range	The single element beam wing component generates less downforce and drag than the biplane assembly due to the removal of the upper element.	This beam wing variant allows a further drag reduction if deemed optimum for overall lap time for a given circuit.



# FIA FORMULA 1 WORLD CHAMPIONSHIP





# FIA FORMULA 1 WORLD CHAMPIONSHIP

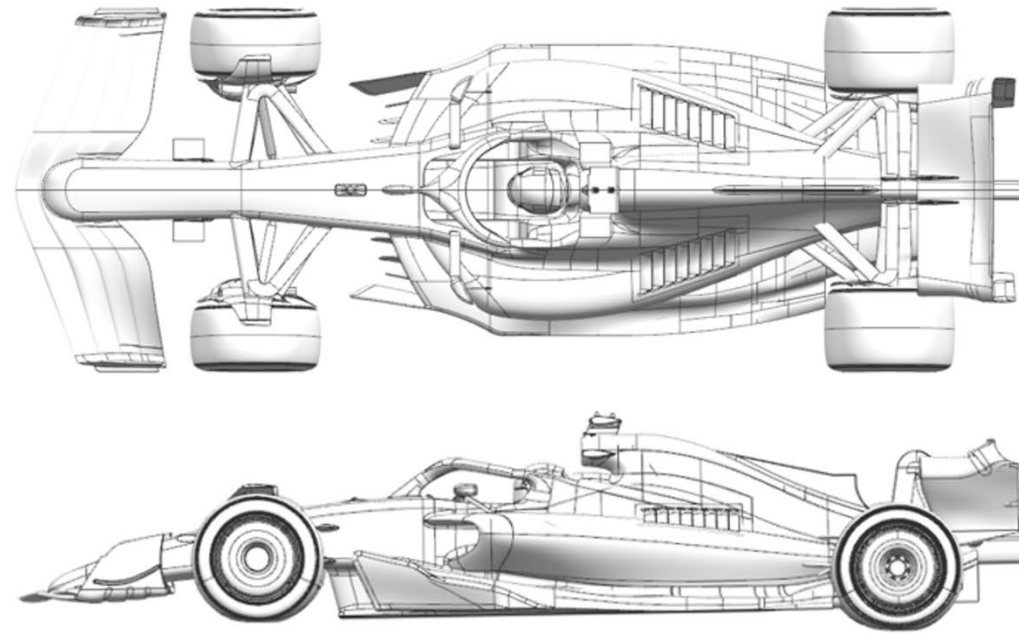
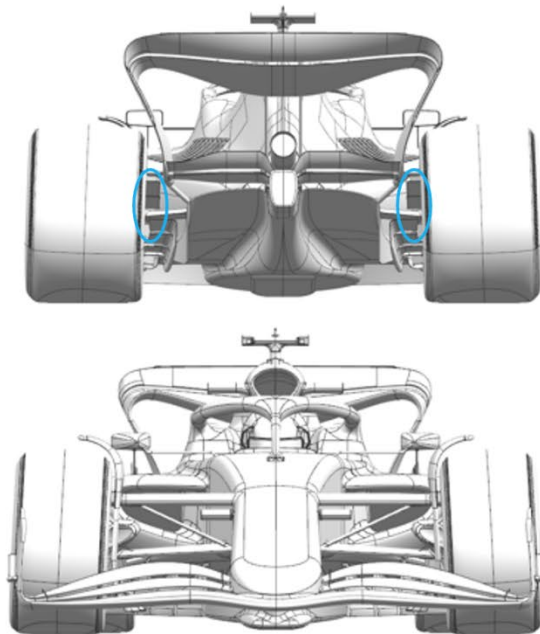


## WILLIAMS RACING

	Updated component	Primary reason for update	Geometric differences compared to previous version	Brief description on how the update works
1	Rear Corner	Performance - Local Load	The exit scoop of the rear brake duct has changed in size. The length, position and camber of the winglet cluster that sits below the exit are all subtly, and sympathetically, updated so that the whole system works correctly together.	The revised scoop/winglet system offers a small increase in local load and has also has a small effect to the local flow field. The additional load is efficient relative to any drag change and the net result is a higher vertical load on the rear tyres.



# FIA FORMULA 1 WORLD CHAMPIONSHIP





FIA FORMULA 1 WORLD CHAMPIONSHIP

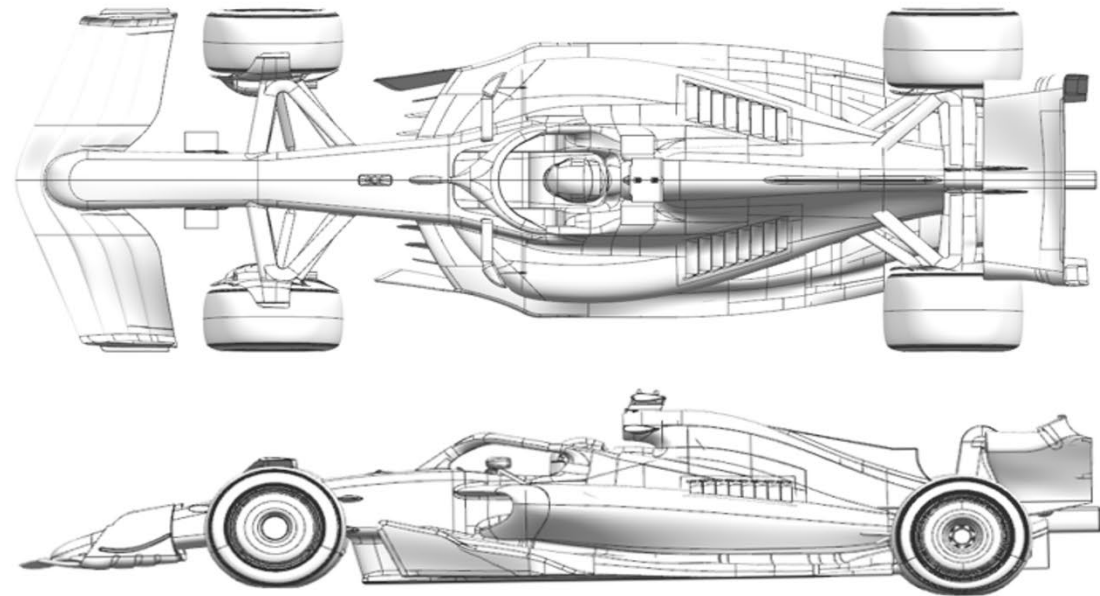
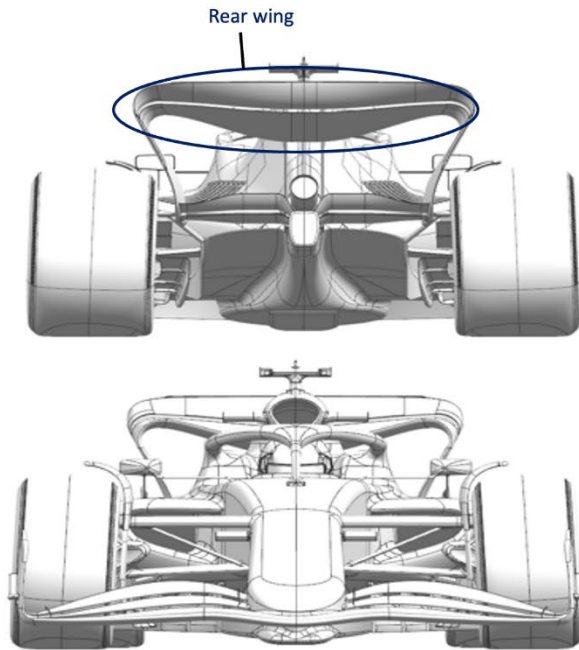


**VISA CASH APP RB FORMULA ONE TEAM**

	<b>Updated component</b>	<b>Primary reason for update</b>	<b>Geometric differences compared to previous version</b>	<b>Brief description on how the update works</b>
1	Rear Wing	Performance - Local Load	Compared to Race 01, rear wing profiles have been redesigned to improve Cp profiles	Improved efficient load generation & target drag level for event.



# FIA FORMULA 1 WORLD CHAMPIONSHIP





# FIA FORMULA 1 WORLD CHAMPIONSHIP

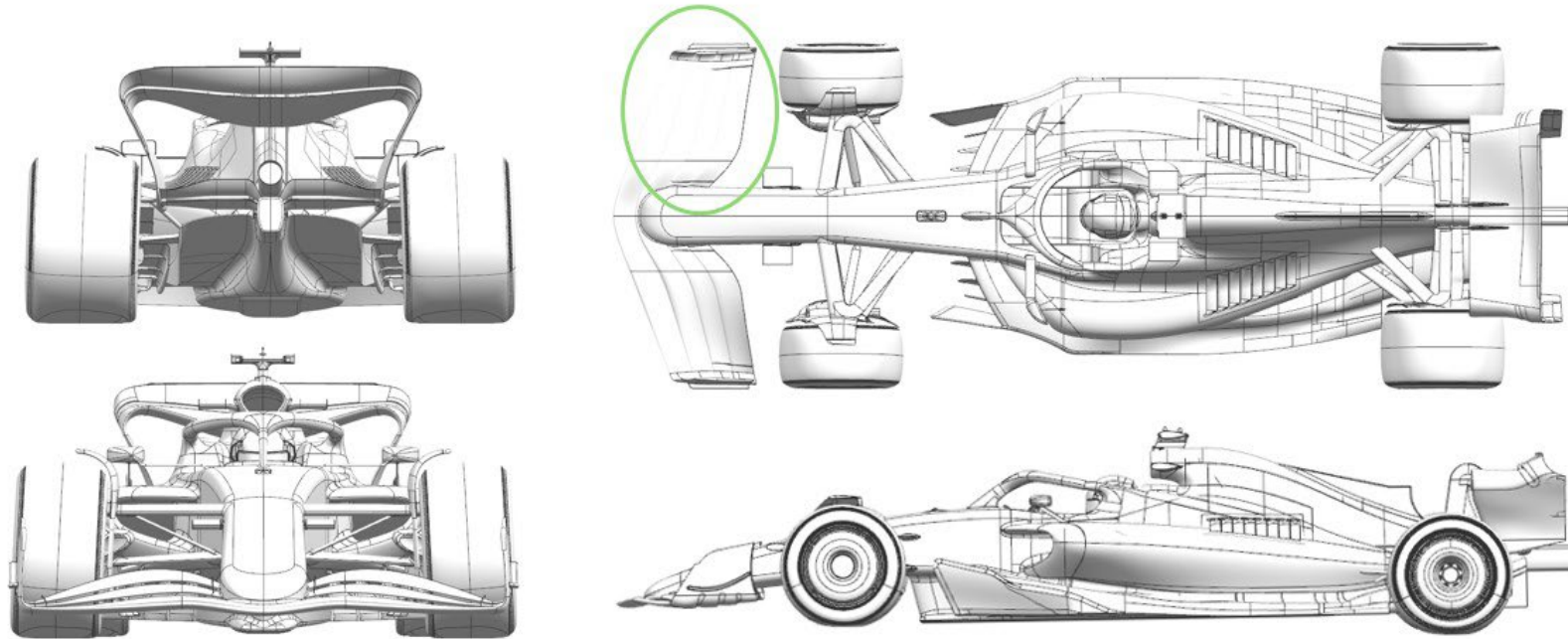


## KICK SAUBER F1 TEAM

	<b>Updated component</b>	<b>Primary reason for update</b>	<b>Geometric differences compared to previous version</b>	<b>Brief description on how the update works</b>
1	Front Wing	Performance - Flow Conditioning	Redesigned third and fourth front wing elements	The redesigned front wing elements, in conjunction with the new endplate introduced in this race, improve the car's overall aerodynamic efficiency.
2	Front Wing Endplate	Performance - Flow Conditioning	Adjusted front wing endplate	The redesigned front wing enplates, in conjunction with the new elements introduced in this race, improve the car's overall aerodynamic efficiency.



# FIA FORMULA 1 WORLD CHAMPIONSHIP







FIA FORMULA 1 WORLD CHAMPIONSHIP



**MONEYGRAM HAAS F1 TEAM**

No updates submitted for this event.